

**PLEASE CHECK WWW.MOLEX.COM FOR LATEST PART INFORMATION**

**Part Number:** [0099990990](#)  
**Status:** **Active**  
**Description:** 2.50mm (.098") Pitch SPOX™ Wire-to-Board Header, Vertical, Shrouded, 6 Circuits, Tin (Sn) Plating, with Swaged PC Tails

**Documents:**

[3D Model](#) [Product Specification PS-5264-001 \(PDF\)](#)  
[Drawing \(PDF\)](#) [RoHS Certificate of Compliance \(PDF\)](#)

**Agency Certification**

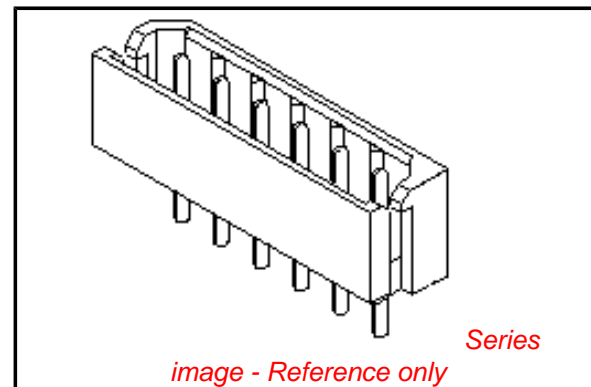
CSA LR19980  
 UL E29179

**General**

Product Family PCB Headers  
 Series [5267](#)  
 Application Wire-to-Board  
 Product Name SPOX™

**Physical**

Breakaway No  
 Circuits (Loaded) 6  
 Circuits (maximum) 6  
 Color - Resin Natural  
 Durability (mating cycles max) 30  
 First Mate / Last Break No  
 Flammability 94V-0  
 Glow-Wire Compliant No  
 Guide to Mating Part No  
 Keying to Mating Part None  
 Lock to Mating Part Yes  
 Material - Plating Mating Tin  
 Material - Plating Termination Tin  
 Material - Resin Nylon  
 Number of Rows 1  
 Orientation Vertical  
 PC Tail Length (in) 0.138 In  
 PC Tail Length (mm) 3.50 mm  
 PCB Locator No  
 PCB Retention Yes  
 PCB Thickness Recommended (in) 0.062 In  
 PCB Thickness Recommended (mm) 1.60 mm  
 Packaging Type Bag  
 Pitch - Mating Interface (in) 0.098 In  
 Pitch - Mating Interface (mm) 2.50 mm  
 Plating min: Mating (µin) 160  
 Plating min: Mating (µm) 4  
 Plating min: Termination (µin) 160  
 Plating min: Termination (µm) 4  
 Polarized to Mating Part Yes  
 Polarized to PCB No  
 Shrouded Fully  
 Stackable No  
 Surface Mount Compatible (SMC) No  
 Temperature Range - Operating -40°C to +105°C  
 Termination Interface: Style Through Hole



**EU RoHS**

**ELV and RoHS Compliant**  
**REACH SVHC**  
 Not Reviewed  
**Halogen-Free Status**

**China RoHS**



**Not Halogen-Free**

**Need more information on product environmental compliance?**

Email [productcompliance@molex.com](mailto:productcompliance@molex.com)  
 For a multiple part number RoHS Certificate of Compliance, [click here](#)

Please visit the [Contact Us](#) section for any non-product compliance questions.

**Search Parts in this Series**

[5267Series](#)

**Mates With**

[5264](#) SPOX™ Wire-to-Board Crimp Terminal, [42219](#) SPOX™ IDT Receptacle Housing

**Electrical**

Current - Maximum per Contact  
Voltage - Maximum

3A  
250V

**Material Info**

Old Part Number

5267-06A-X

**Reference - Drawing Numbers**

Product Specification

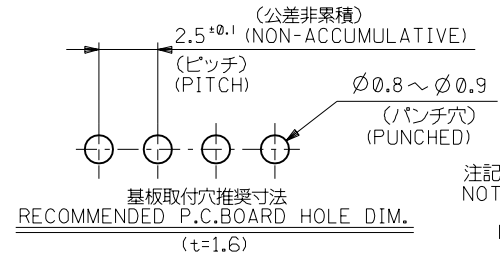
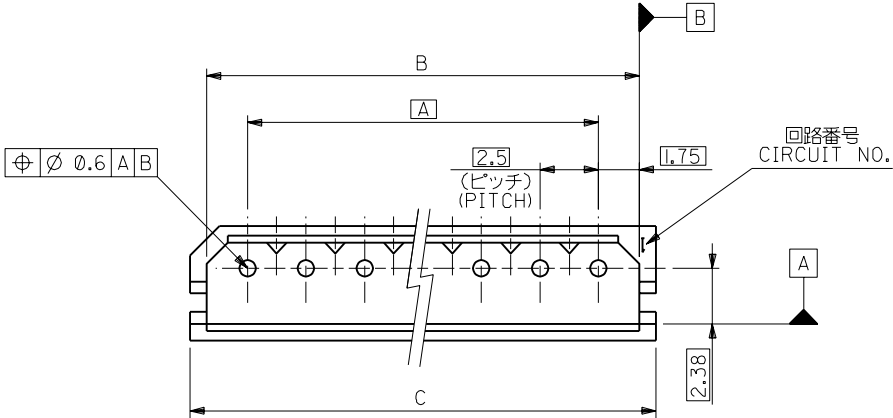
PS-5264-001, RPS-5264-003, RPS-5264-004,  
RPS-5264-005, RPS-5264-006, RPS-5264-007

Sales Drawing

SD-5267-NA-X

This document was generated on 04/15/2010

**PLEASE CHECK [WWW.MOLEX.COM](http://WWW.MOLEX.COM) FOR LATEST PART INFORMATION**

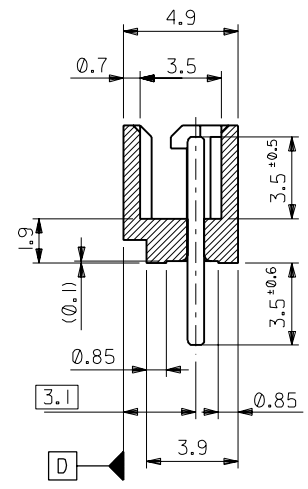
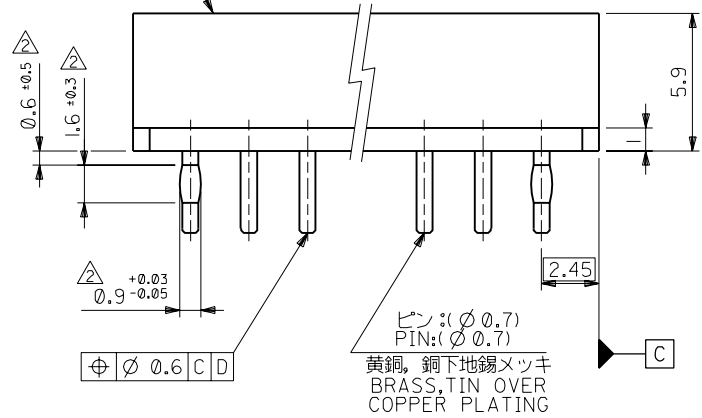


注記 NOTES:

1. 嵌合相手: 5264 シリーズ  
MATES WITH: 5264 SERIES.

△ 両端のPINのみ適用。  
APPLIES: PIN, BOTH ENDS

ウエハー: 66ナイロン。ガラス入り, UL 94V-0  
WAFER: 66NYLON, GLASS REINFORCED, UL 94V-0



39.9	38.5	35	99-99-0999	5267-15A-X	15
37.4	36	32.5	-0998	-14A-X	14
34.9	33.5	30	-0997	-13A-X	13
32.4	31	27.5	-0996	-12A-X	12
29.9	28.5	25	-0995	-11A-X	11
27.4	26	22.5	-0994	-10A-X	10
24.9	23.5	20	-0993	-09A-X	9
22.4	21	17.5	-0992	-08A-X	8
19.9	18.5	15	-0991	-07A-X	7
17.4	16	12.5	-0990	-06A-X	6
14.9	13.5	10	-0989	-05A-X	5
12.4	11	7.5	-0988	-04A-X	4
9.9	8.5	5	-0987	-03A-X	3
7.4	6	2.5	99-99-0986	5267-02A-X	2
C	B	A	EDP NO.	ENG. NO.	極数 NO OF CKT.

材料 MATERIAL		MOLLEX MOLEX-JAPAN CO.,LTD. 日本モレックス株式会社	
仕上げ FINISH		REVISE ONLY ON CAD SYSTEM	
適用電線範囲 WIRE RANGE		TITLE 名称	
被覆外径 INS. RANGE		2.5 LOW PROFILE WAFER ASS'Y WITH COIN	
DRAWN BY 6/20/88 Y.MIZUNO		CHK'D BY 96/03/26 Y.MIZUNO	
APP'D BY 96/03/26 M.FUKUSHIMA		DWG. NO. SD-5267-NA-X	
SCALE 5:1		REV G	

角度 ANGLE	±3°	記号 LTR	変更内容 REVISION RECORD	DR. CHK.	日付 DATE
30以上 OVER	+0.3	G	変更 REVISD (JC60688)	Y.M	96/3/26
10以上 30未満 UNDER	+0.25	F	変更 (J10590)	K.T	91/7/26
10未満 UNDER	+0.2	E	変更及び再作図 (J80546)	Y.M, H.H	9/20/88
一般公差 GENERAL TOLERANCES					